

These installation instructions are for installing the **F1** Mounting Kit at FEED Location.

CAUTION: IT IS CRITICAL THAT SUPPORT LOCATIONS ARE LOCATED ACCURATELY. WE RECOMMEND THAT A LASER DEVICE BE USED TO LINE UP THE SUPPORT LOCATIONS ON FIXTURES HAVING MORE THAN ONE SECTION. IF NOT ALIGNED PROPERLY, A NOTICEABLE “BEND” MAY BE APPARENT WHEN VIEWED FROM THE END OF THE RUN.

WARNING: RISK OF FIRE AND ELECTRICAL SHOCK. THIS PRODUCT TO BE INSTALLED ONLY BY A QUALIFIED ELECTRICIAN.

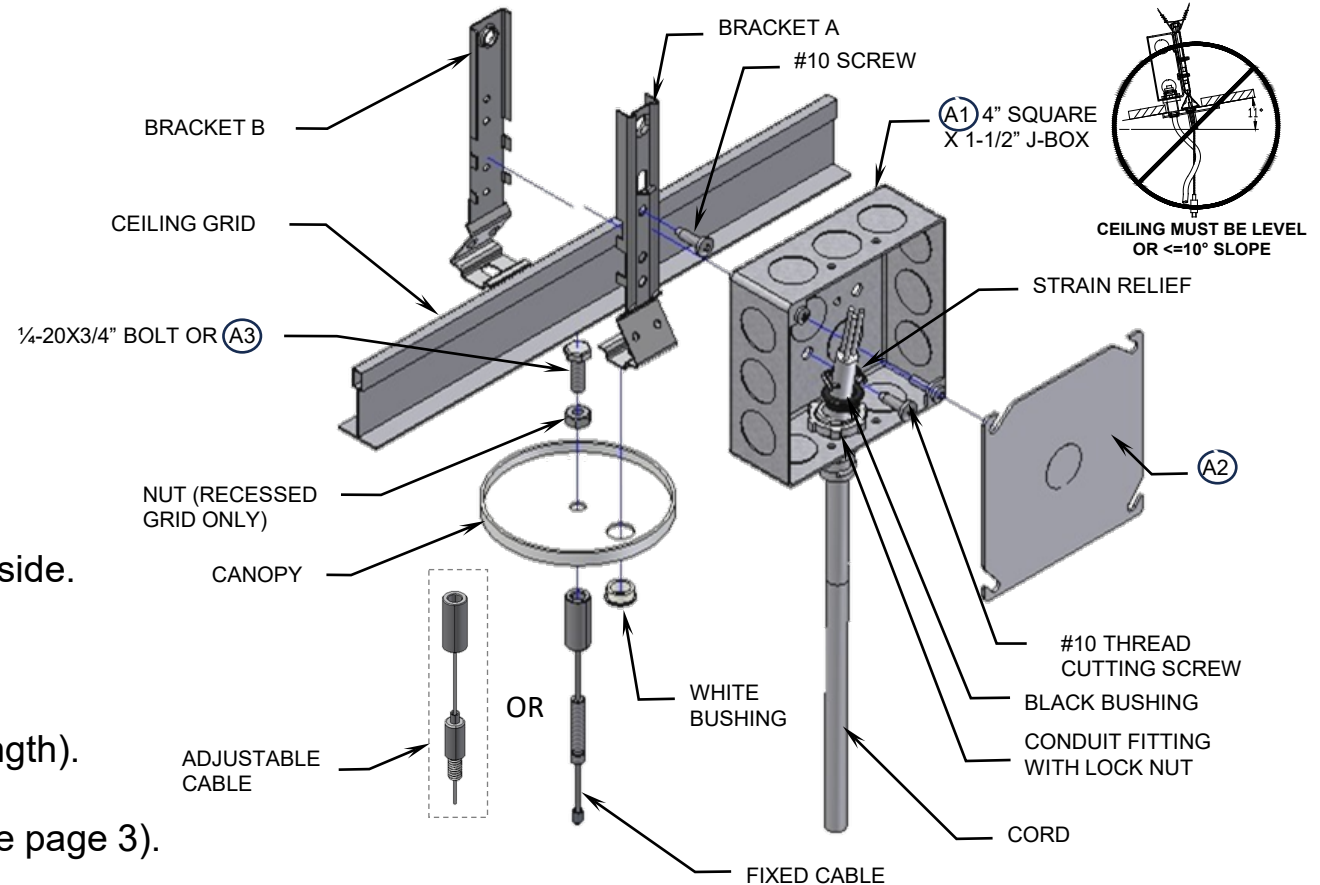
NOTE: THIS MOUNTING ASSEMBLY IS UL AND C-UL LISTED WITH THE LUMINAIRE (UL FILE E61711).

- A) Parts Not Provided by PEERLESS ----- page 1
- B) On-Grid Installation ----- pages 1-2
- C) Off-Grid Installation ----- pages 3-4
- D) Bolt and Nut Selection ----- page 4

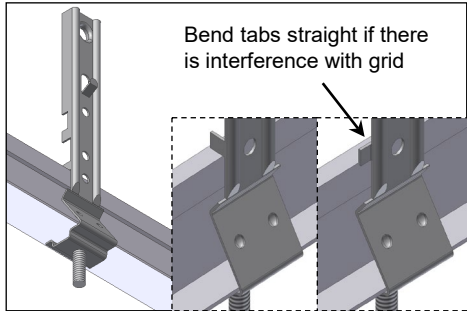
A) Parts Not Provided by PEERLESS

Depending on ceiling mounting type, contractor must obtain some Or all of the following parts to complete installation (see parts list):

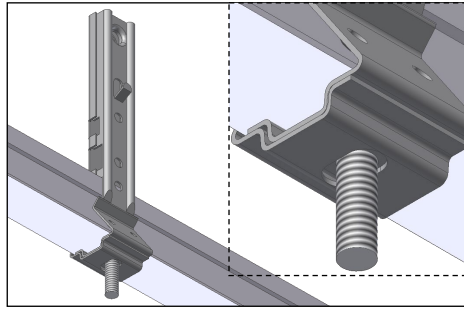
- (A1)** 4” square x 1 ½” deep J-box with ½” knockout on middle of all side.
- (A2)** J-box cover and screws.
- (A3)** ¼-20 steel zinc plated hex head bolt (see Section D for bolt length).
- (A4)** Caddy Bar (CADDY #512A or equal) for Off-Grid Mounting (see page 3).



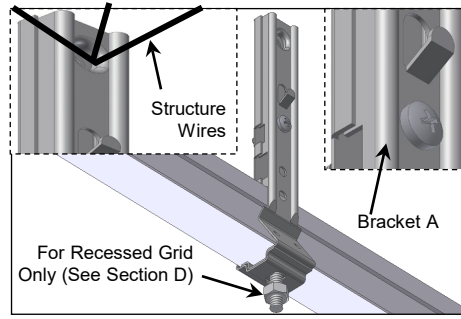
B) ON-GRID INSTALLATION STEPS:



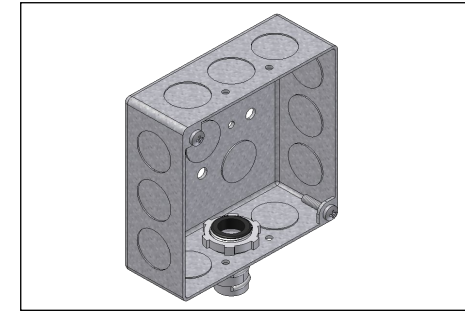
1. Insert bolt into bottom hole of the Bracket A. Then hook Bracket A onto T-bar grid.



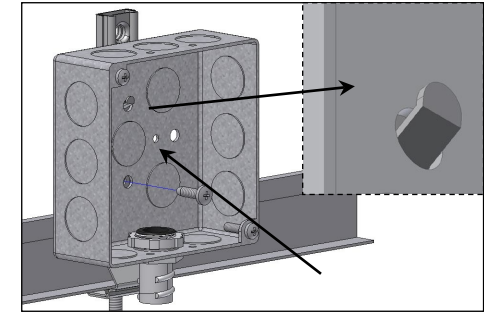
2. Hook Bracket B onto Bracket A.



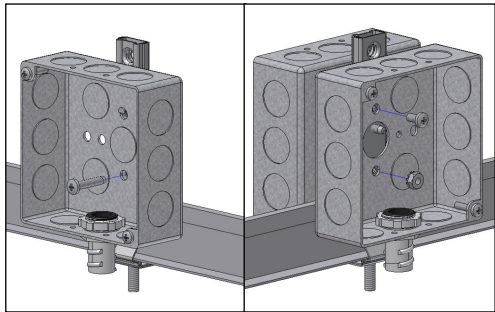
3. Adjust brackets to proper location then screw the brackets from A to B together. Secure the brackets to the structure above.



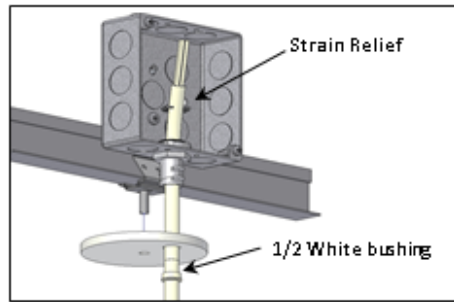
4. Attach black bushing and conduit fitting to j-Box.



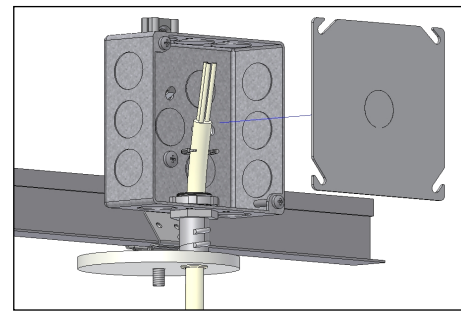
5A. Hang J-Box assembly on bracket A tab. For single feed, screw J-Box to brackets.



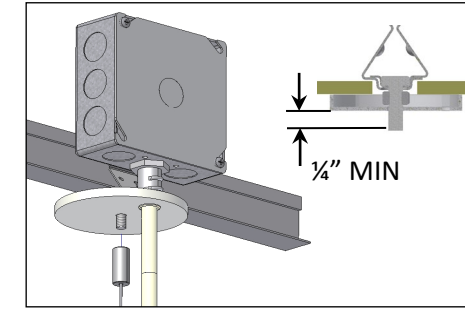
5B. For dual feeds, hand first J-Box with long screw on the bracket A. Take center knock-out on the second J-Box. Screw second J-Box to bracket B. Then add nut to connect two boxes together.



6. Insert feed cord into J-Box through bushings and canopy. Apply strain relief on the cord. Bushing can be omitted if the cord is too large to fit into the bushing.



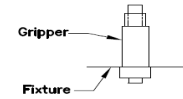
7. Connect wires and install the cover to J-Box with screws.



8. Place canopy flush with ceiling tile. Thread cable retainer onto bolt no less than 1/4".

Adjustable Cable Option

1. Attach adjustable cable gripper (ACG)



2. Un-screw the cap to the top.

3. Press cap nut down to insert cable or adjust fixture height.

Note: Insert cable while supporting weight of the fixture.

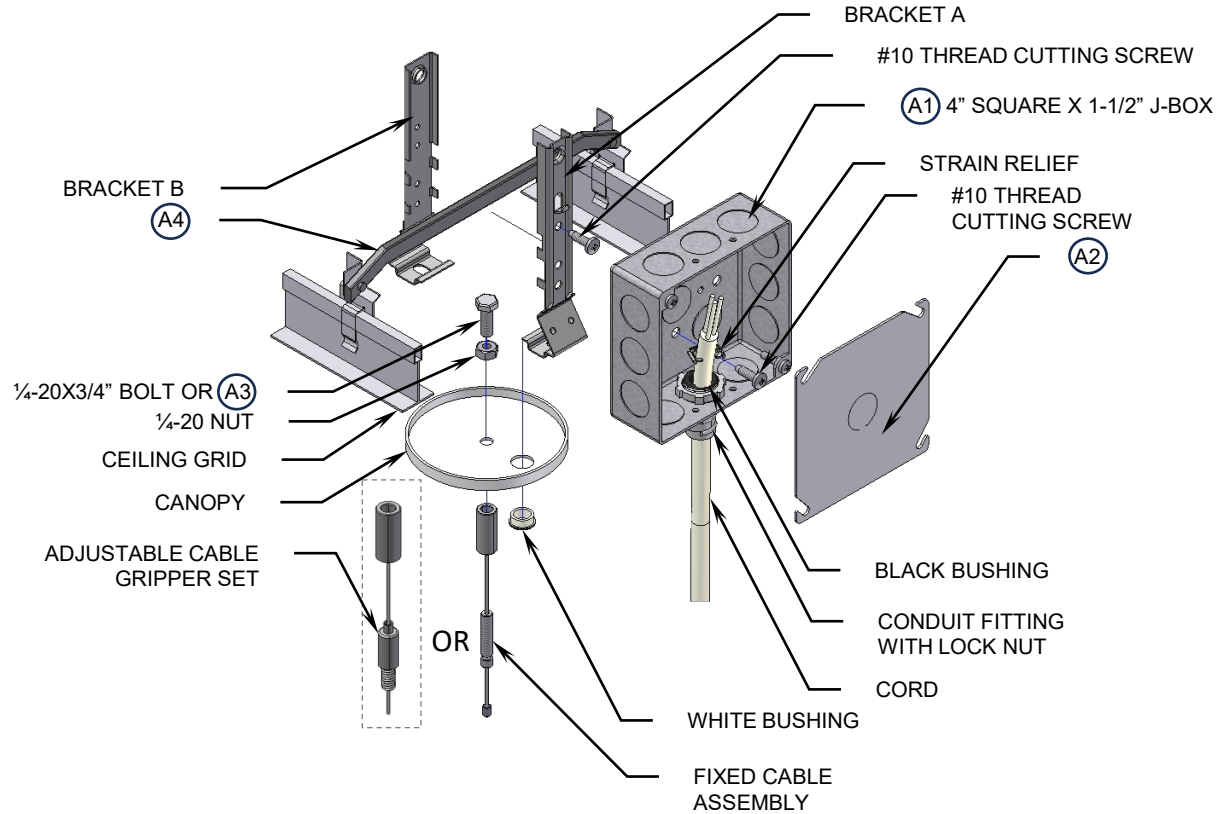
4. Finger tight the cap nut after adjustment.

IMPORTANT

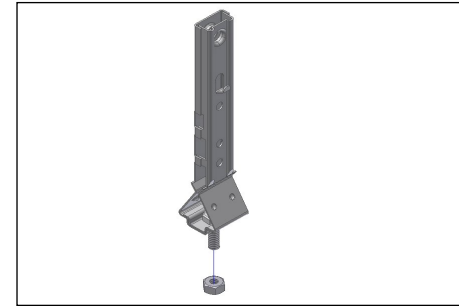


Do NOT insert cable into ACG prior to ACG being attached to fixture. Twisting the cable could cause gripper to become loose.

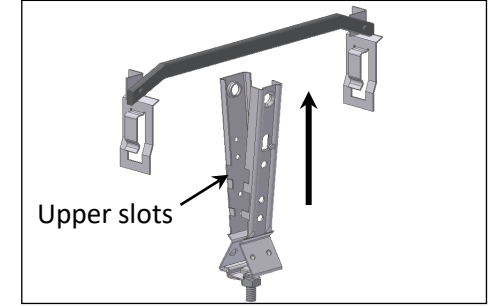
C) Off-Grid Installation



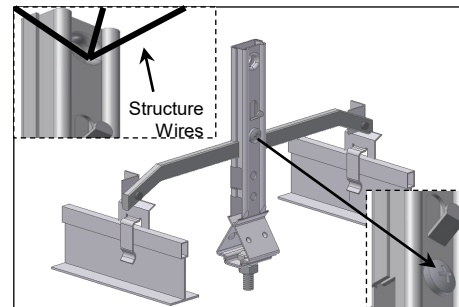
OFF-GRID INSTALLATION STEPS:



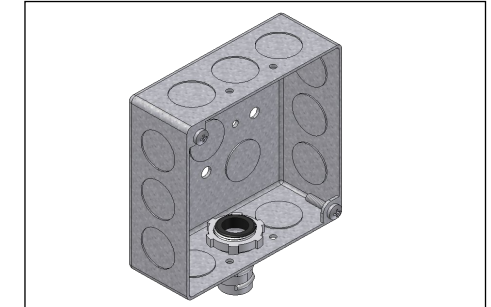
1. Insert bolt into Bracket A. Hook Bracket B onto Bracket A. Secure with nut (DO NOT TIGHTEN).



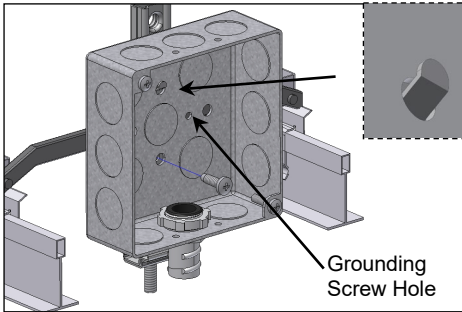
2. Slide hanger onto Caddy Bar and fit Caddy Bar into upper slots in bracket.



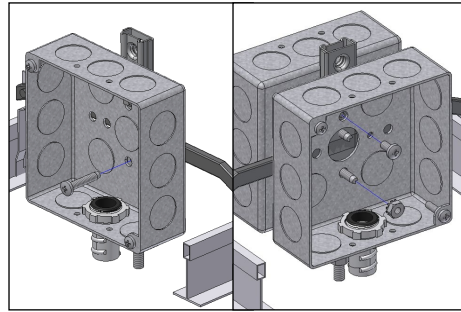
3. Adjust brackets to proper location then screw the brackets from A to B together. Secure the brackets to the structure above.



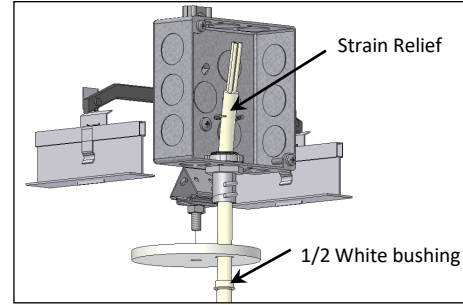
4. Attach black bushing and conduit fitting to J-Box..



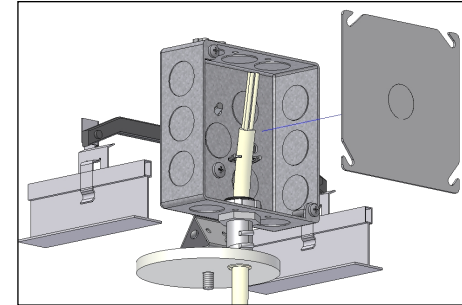
5A. Hang J-Box on bracket A tab. For single feed, screw J-Box to bracket.



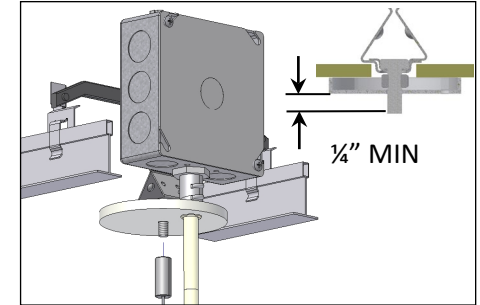
5B. For dual feeds, hang first j-Box with long screw on bracket A. Take center knock-out on the second J-Box. Screw second J-Box to bracket B. Then add nut to connect two boxes together.



6. Insert feed cord into J-Box through bushing and canopy. Attach strain relief on the cord. Bushing can be omitted if the cord is too large to fit into the bushing.



7. Connect wires and install the canopy cover to J-Box with screws.



8. Place canopy flush with ceiling tile. Thread cable retainer onto bolt no less than 1/4".

D) Bolt and Nut Selection

TYPICAL GRID & TILE TYPE	ON-GRID			OFF-GRID		
	1/4-20X3/4" HEX BOLT B≤5/16	1/4-20 HEX BOLT B>5/16	1/4-20 HEX NUT	1/4-20X3/4" HEX BOLT A≤1.5" & B≤5/16"	1/4-20 HEX BOLT A>1.5" OR B>5/16"	1/4-20 HEX NUT
TYPE 1 	YES		NO	YES	Use proper Bolt length to meet min. 1/4" engagement	YES
TYPE 2 	YES	Use proper Bolt length to meet min. 1/4" engagement	YES	YES	Use proper Bolt length to meet min. 1/4" engagement	YES
TYPE 3 	YES		NO	YES	Use proper Bolt length to meet min. 1/4" engagement	YES

These installation instructions are for installing the **F1** Mounting Kit at NON-FEED Location.

CAUTION: IT IS CRITICAL THAT SUPPORT LOCATIONS ARE LOCATED ACCURATELY. WE RECOMMEND THAT A LASER DEVICE BE USED TO LINE UP THE SUPPORT LOCATIONS ON FIXTURES HAVING MORE THAN ONE SECTION. IF NOT ALIGNED PROPERLY, A NOTICEABLE “BEND” MAY BE APPARENT WHEN VIEWED FROM THE END OF THE RUN.

WARNING: RISK OF FIRE AND ELECTRICAL SHOCK. THIS PRODUCT TO BE INSTALLED ONLY BY A QUALIFIED ELECTRICIAN.

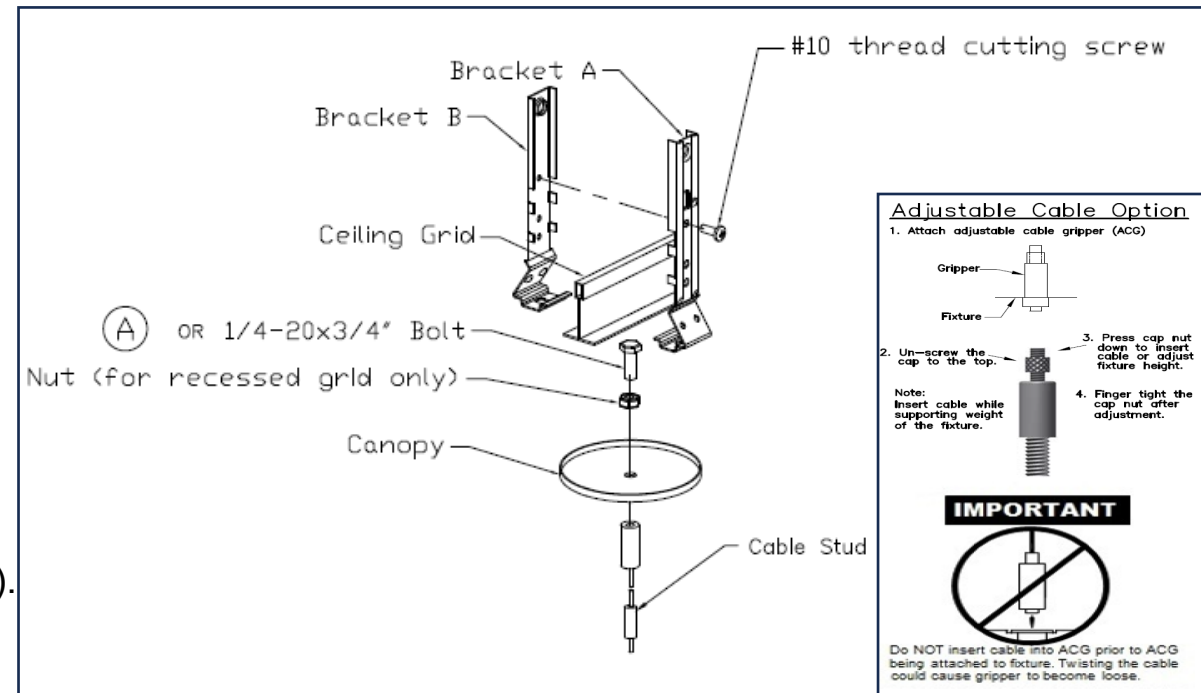
NOTE: THIS MOUNTING ASSEMBLY IS UL AND C-UL LISTED WITH THE LUMINAIRE (UL FILE E61711).

- A) Parts Not Provided by PEERLESS ----- page 1
- B) On-Grid Installation ----- pages 1-2
- C) Off-Grid Installation ----- pages 2-3
- D) Bolt and Nut Selection ----- page 3

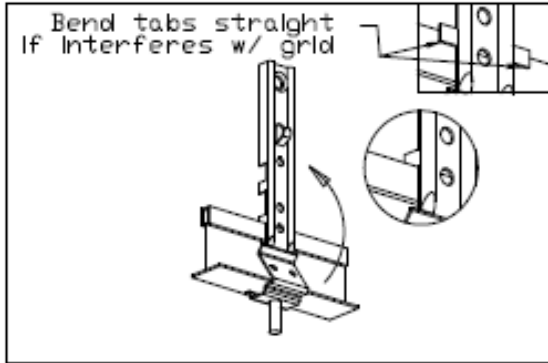
A) Parts Not Provided by PEERLESS

Depending on ceiling mounting type, contractor must obtain some Or all of the following parts to complete installation (see parts list):

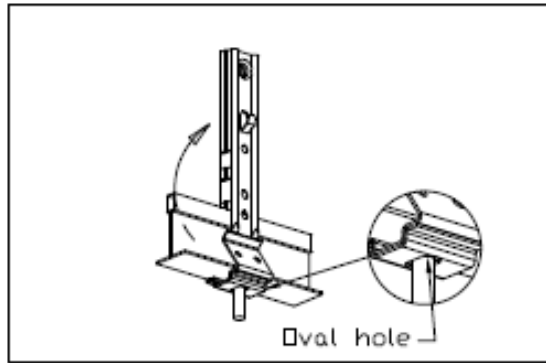
- (A) 1/4-20 steel zinc plated hex head bolt (see Section D for bolt length).
- (B) Caddy Bar (CADDY #512A or equal) for Off-Grid Mounting (see page 3).



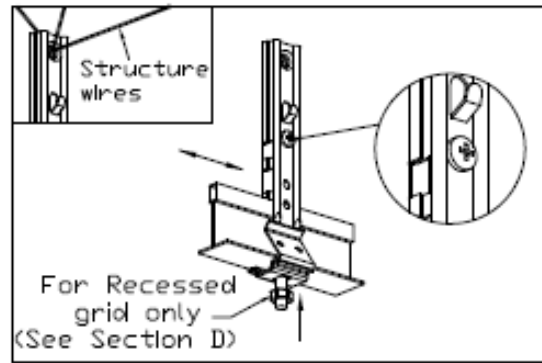
B) ON-GRID INSTALLATION STEPS:



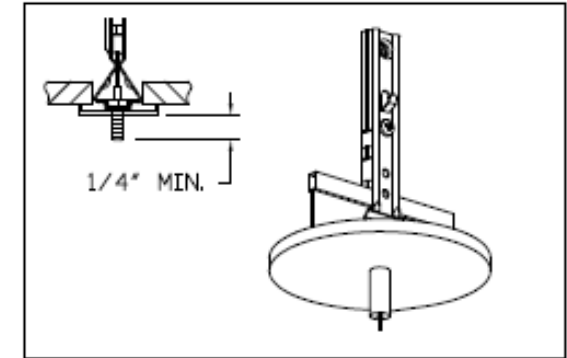
1. Insert bolt into bottom hole of bracket A, then hook bracket A onto grid.



2. Hook bracket B onto bracket A.



3. Adjust brackets to proper location, then screw the brackets together. Secure the brackets to the structure above.



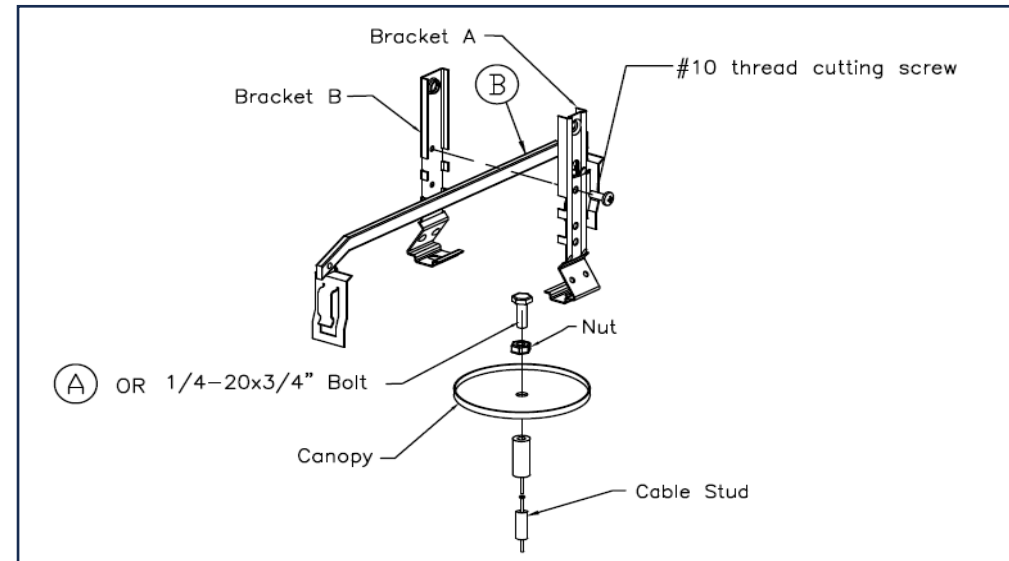
4. Place canopy flush with ceiling tile. Thread cable retainer onto bolt (no less than 1/4").

C) OFF-GRID INSTALLATION:

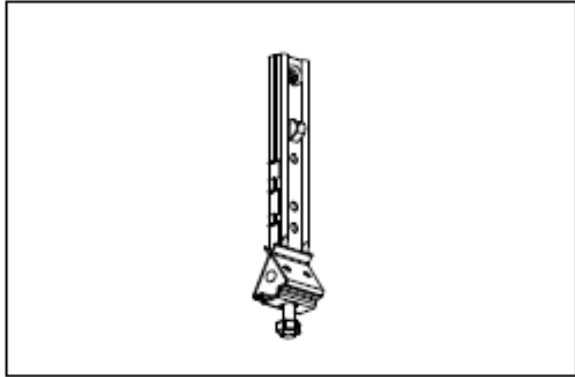
1. Parts Not Provided by PEERLESS

(A) 1/4-20 steel zinc plated hex head bolt (see Section D for bolt length).

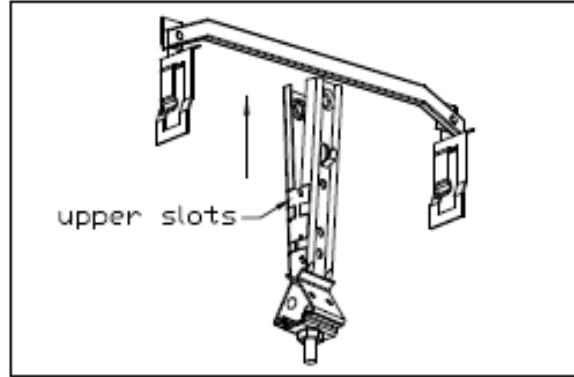
(B) Caddy Bar (CADDY #512A or equal) for Off-Grid Mounting.



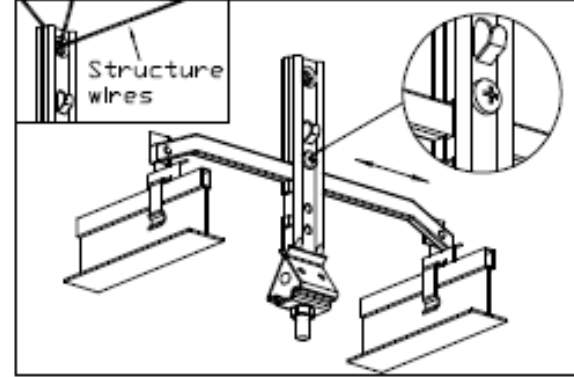
2. OFF-GRID INSTALLATION STEPS:



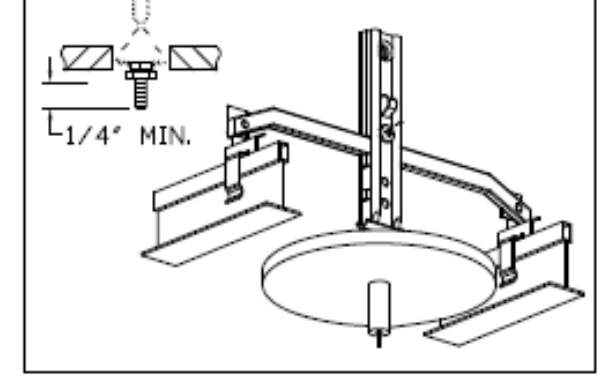
1. Insert bolt into Bracket A. Hook Bracket B onto Bracket A. Secure with nut (Do not tighten).



2. Slide hanger onto Caddy Bar and fit Caddy Bar into Brackets upper slots.



3. Adjust Brackets to proper location, then screw Brackets together. Secure Brackets to the structure above.



4. Place canopy flush with ceiling tile. Thread cable retainer onto bolt (no less than 1/4").

D) Bolt and Nut selection

TYPICAL GRID & TILE TYPE	ON-GRID			OFF-GRID		
	1/4-20X3/4" HEX BOLT B ≤ 5/16	1/4-20 HEX BOLT B > 5/16	1/4-20 HEX NUT	1/4-20X3/4" HEX BOLT A ≤ 1.5" & B ≤ 5/16"	1/4-20 HEX BOLT A > 1.5" OR B > 5/16"	1/4-20 HEX NUT
<p>TYPE 1</p>	YES		NO	YES	Use proper Bolt length to meet min. 1/4" engagement	YES
<p>TYPE 2</p>	YES	Use proper Bolt length to meet min. 1/4" engagement	YES	YES	Use proper Bolt length to meet min. 1/4" engagement	YES
<p>TYPE 3</p>	YES		NO	YES	Use proper Bolt length to meet min. 1/4" engagement	YES