

# Feed & Mounting Detail

## F1 Mounting Type

Type:

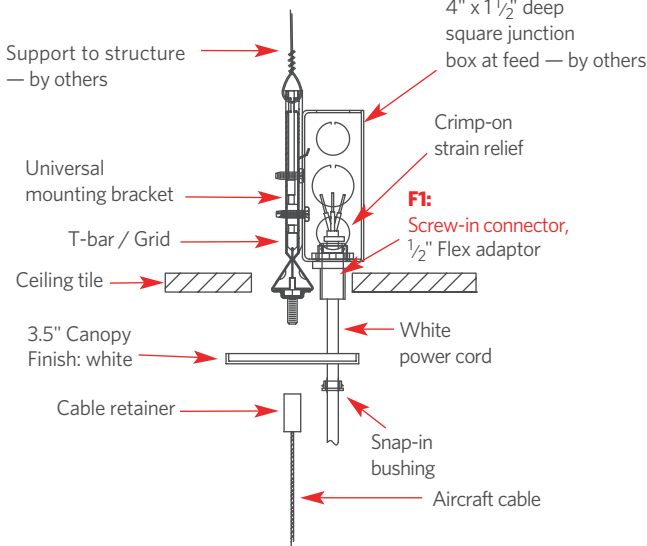
Project:

### T-bar and Screw Slot Grid Ceilings: Aircraft Cable

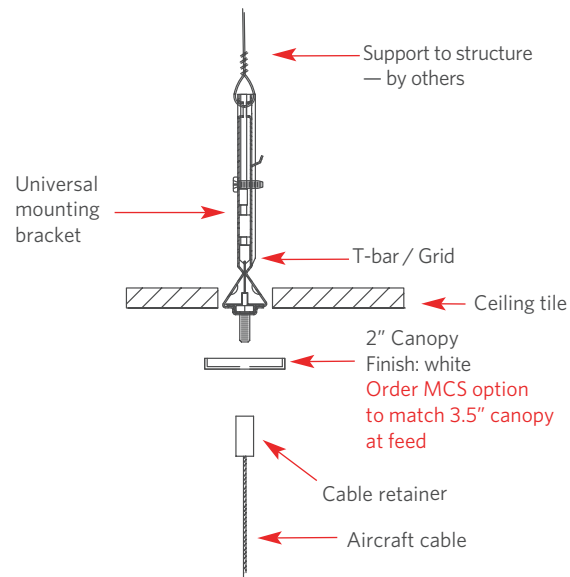
F1 for use with most T-bar and screw slot grid ceilings applications. Mounting designed for on-grid and off-grid installations.

#### F1 ON-GRID MOUNTING

##### Feed

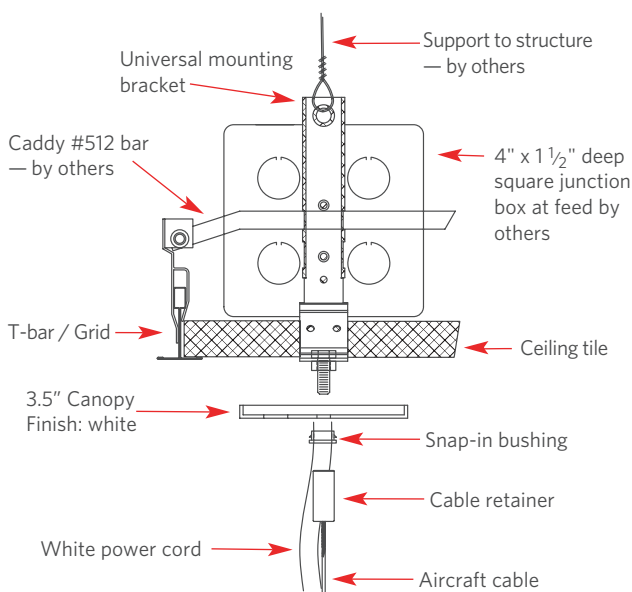


##### Support

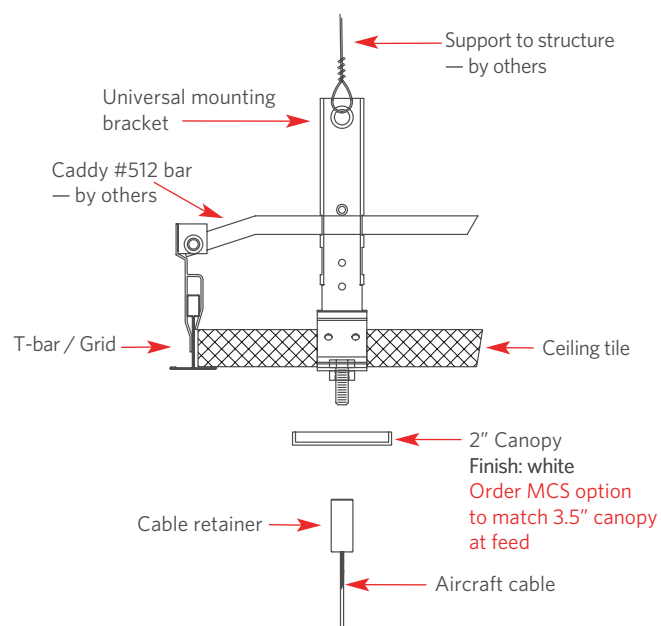


#### F1 OFF-GRID MOUNTING

##### Feed



##### Support



# Feed & Mounting Detail

## F1A Mounting Type

Type:

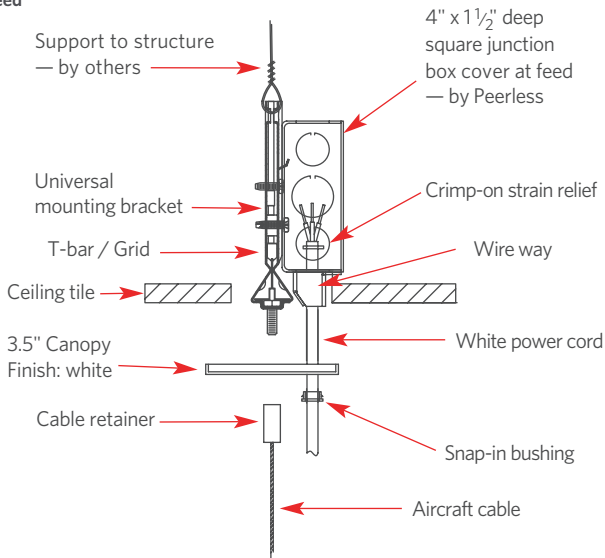
Project:

### T-bar and Screw Slot Grid Ceilings: Aircraft Cable

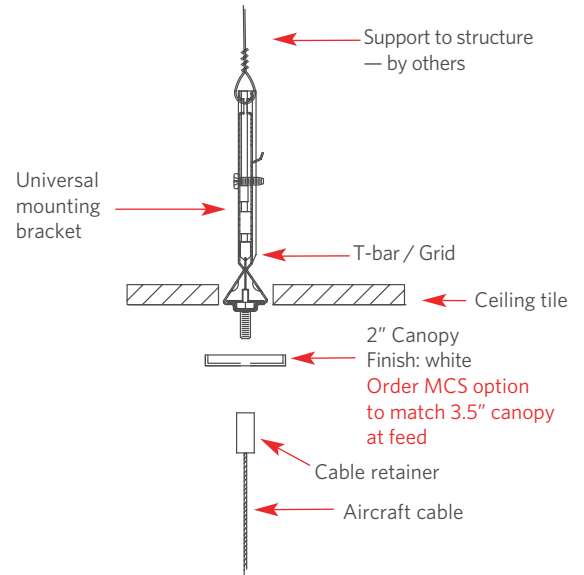
F1A for use with most T-bar and screw slot grid ceilings applications. Designed for on-grid and off-grid installations. F1A comes complete with vertical junction box with built-in wire way.

#### F1A ON-GRID MOUNTING

##### Feed

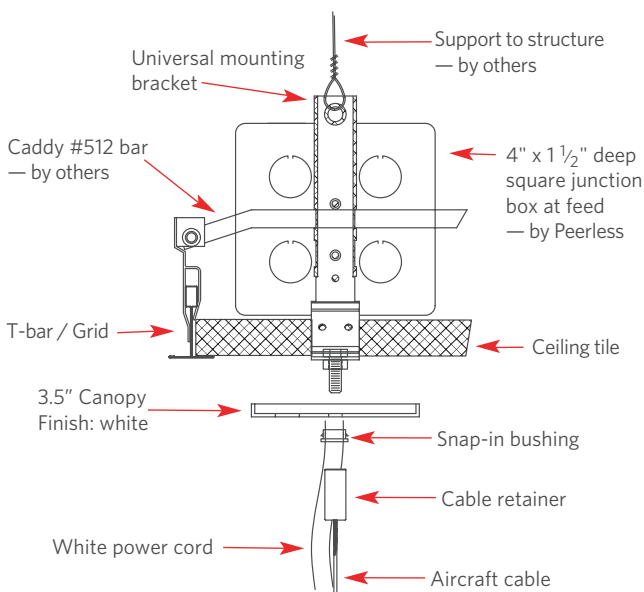


##### Support

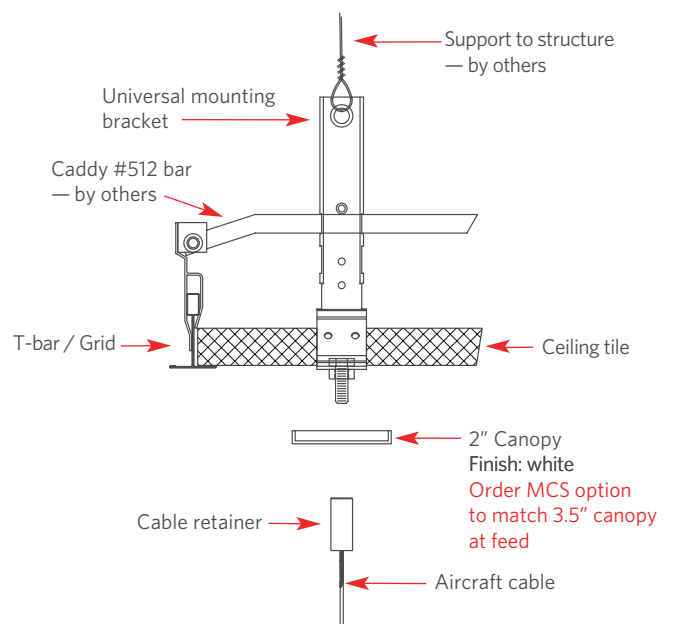


#### F1A OFF-GRID MOUNTING

##### Feed



##### Support



# Feed & Mounting Detail

## F2 Mounting Type

Type:

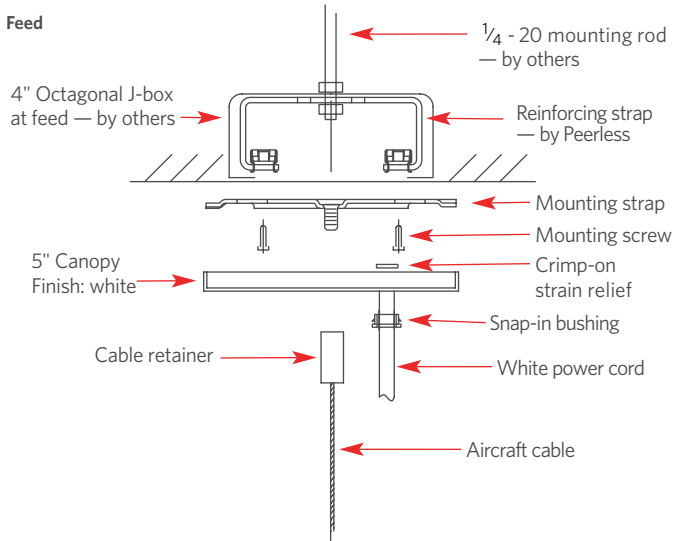
Project:

### Horizontal J-Box Ceilings: Aircraft Cable

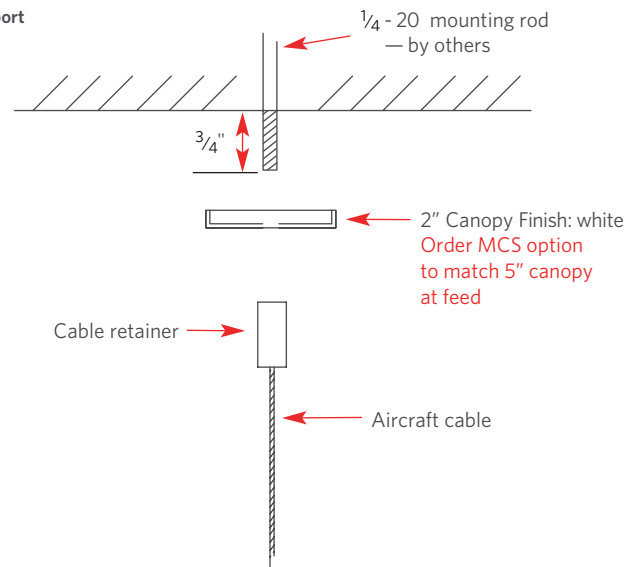
F2 for use with recessed or surface mount horizontal j-box applications.

#### F2 MOUNTING

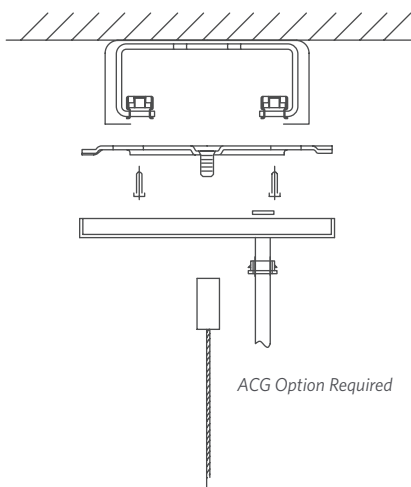
##### Feed



##### Support



##### Surface Mount



# Feed & Mounting Detail

## F3 Mounting Type

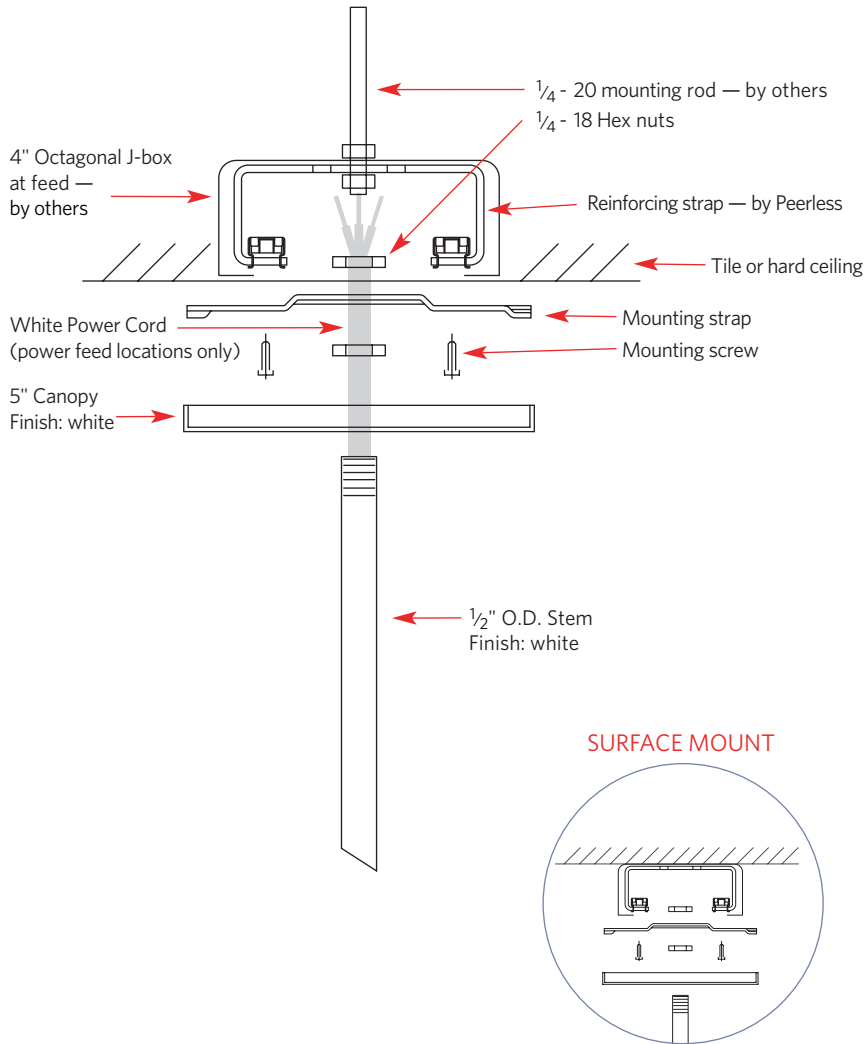
Type:

Project:

### Horizontal J-Box Ceiling: Rigid Stem

F3 stem mounting for use with recessed or surface mount horizontal j-box applications.  
Check with local jurisdiction regarding rigid stem code requirements.

#### F3 FEED AND SUPPORT



# Feed & Mounting Detail

## F4A, B, C Mounting Type

Type:

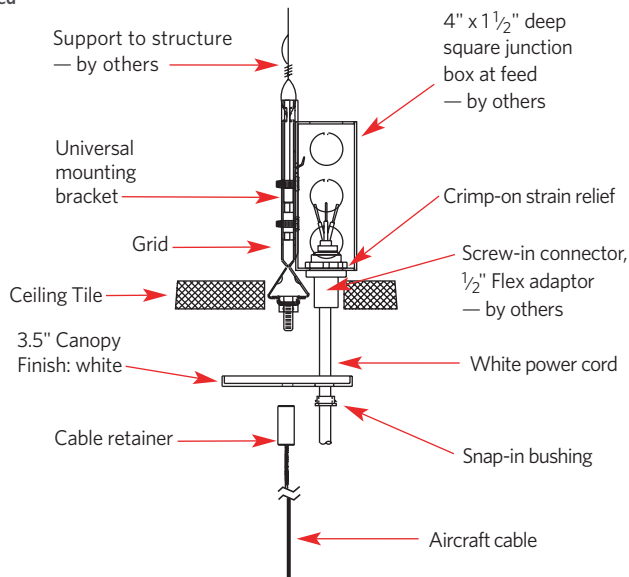
Project:

T-Bar & Screw Slot Grid Ceiling w/ IDS Clip at Supports: Air Craft Cable

F4A, B, C for use with most T-bar and screw slot grid ceilings applications. F4A includes IDS <sup>15</sup>/<sub>16</sub>" clip at supports. F4B includes IDS <sup>9</sup>/<sub>16</sub>" clip at supports. F4C includes IDS95 screw slot clip at supports.

F4A, F4B, F4C

Feed



Support

