

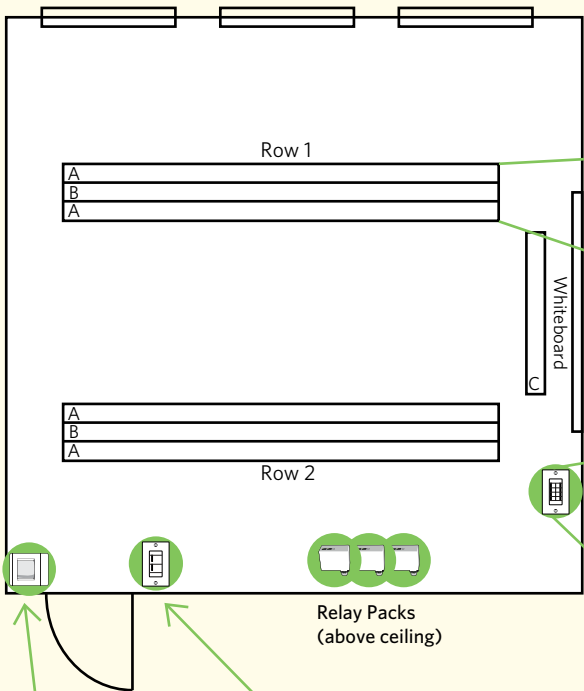
Classroom Controls Distributed Relays Solution

**Bi-Level
Package #: nClassA
3-lamp Fixtures**

Once you've selected Peerless luminaires for your classroom and have determined their configuration within the space, you're ready to specify a control package. Follow the step-by-step instructions below to select specific control options. Then, return to your luminaire catalog number and add **nCLASSA** to the end of the ordering sequence. Doing so will notify us to review your order to ensure compatibility between your luminaire and controls selections.

For luminaire specification sheets and additional application support, please visit PeerlessLighting.com.

Consider your options on this page to help make your selections on page 2.



Will you need a whiteboard fixture?
Will you need emergency lighting?

Lighting Details

A	Outboard Lamps
B	Inboard Lamps
C	Optional Whiteboard Fixture

How will the lights be controlled and programmed?

Teacher Control Station Operation Options

Button #	Label	Option 1	Option 2	Option 3
1	High	A & B lamps on	Toggle A lamps	A lamps on only
2	Low	B lamps on only	Toggle B lamps	B lamps on only
3	Sensor Override	Disable Occ. Sensor for 1 hr	Disable Occ. Sensor for 1 hr	Disable Occ. Sensor for 1 hr
4	Whiteboard	Toggle C lamps	Toggle C lamps	Toggle C lamps

Entrance Switch Operation

"On" Button Press:	"Off" Button Press:
Turns On "High" mode	Turns All Lamps Off

How many entrance switches do you require?

Occupancy Sensor Operation

Lamps	Operation Upon Occupancy	Operation Upon Vacancy
A	Auto On	Auto Off
B	Manual On	Auto Off
C	Manual On	Auto Off

What type and coverage of occupancy sensors do you require?

Will you need Cat-5e cable?

What color would you like the wall stations to be?

Peerless® Specify



When specifying luminaires, add **nCLASSA** to the end of the catalog number. Visit PeerlessLighting.com for luminaire specification sheets.

**Bi-Level
Package #: nClassA
3-lamp Fixtures**

Step 1 Indicate Lighting to be Controlled (choose 1)

	# of Lamps per Luminaire	Include White-board Luminaire	Include Emergency Circuit	Switch "A" Lamps in Rows 1 & 2 Separately	Option #
Lighting to be Controlled	3 Lamps	Yes	Yes*	No	3WEN
				Yes	3WEY
			No	No	3WNN
				Yes	3WNY
		No	Yes*	No	3NEN
				Yes	3NEY
			No	No	3NNN
				Yes	3NNY

*Number of emergency sections should be specified in fixture nomenclature.

Step 2 Indicate Teacher Control Station Option (choose 1)

	Description	Option #
Teacher Control (See details on front)	Option 1	TC1
	Option 2	TC2
	Option 3 (for fixtures with Interlock* only)	TC3
	None	TC0

*Interlock prevents inboard and outboard lamps from being on together

Step 3 Indicate Entrance Station(s) Requirement (choose 1)

	Description	Option #
Entrance Station(s)	None	ESO
	Yes - Qty 1	ES1
	Yes - Qty 2	ES2

Step 4 Choose Occupancy Sensor Coverage (choose 1)

Coverage Density	Description	Option #
Good	Extended Range 360 Sensor — Dual Technology, Ceiling Mount (Qty 1)	OC1
Better	a) Wide View Sensor — Dual Technology, Corner Mount (Qty 1) w/ Ceiling Mount Bracket	OC2
	b) Standard Range 360 Sensor — Dual Technology, Ceiling Mount (Qty 2)	OC3
Best	Wide View Sensor — Dual Technology, Corner Mount (Qty 2) w/ Ceiling Mount Bracket	OC4

Step 5 Include Preterminated Cat-5e Cable Bundle (1 x 50ft, 4 x 30ft, 3 x 10ft, 2 x 2ft, 1 x 6in)

	Description	Option #
Bi-Level	Include	Y5
	Do Not Include	N5

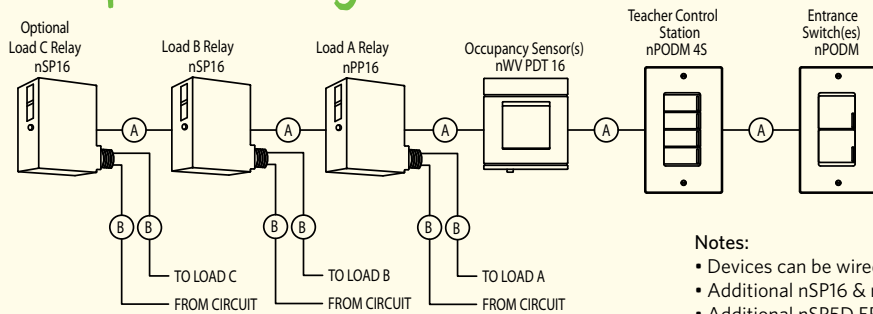
Step 6 Choose Color of Wall Stations (choose 1)

Color	White	Ivory	Gray	Light Almond
Option #	WH	IV	GY	AL

Catalog #:

Example: **nCLASSA** **3WNN** **TC1** **ES1** **OC2** **Y5** **WH**
 (PACKAGE#) (STEP 1) (STEP 2) (STEP 3) (STEP 4) (STEP 5) (STEP 6)

Example Riser Diagram



- Notes:
- Devices can be wired in any order
 - Additional nSP16 & nPODM included with 3xxY versions
 - Additional nSP5D ER KIT included with 3xEx versions

WIRE LEGEND	(A) CAT-5 (LOW VOLTAGE)	(B) CLASS 1 (LINE VOLTAGE)
-------------	-------------------------	----------------------------