

General Installation Instructions

WARNING

To reduce the risk of death, injury or property damage from fire, electric shock, cuts, abrasions, falling parts and other hazards:

- Service of the equipment must be performed by qualified service personnel.
- Installation and maintenance must be performed by a person familiar with the construction and operation of this product and any hazards involved. All applicable codes and ordinances must be followed.
- Read this document before installing, servicing or maintaining this equipment or installing a lamp. These instructions do not cover all installation, service and maintenance situations. If your situation is not covered, or, if you do not understand these instructions or additional information is required, contact Peerless Lighting or your local Peerless Lighting distributor.
- Read and follow all warnings and instructions provided by the lamp manufacturer.

WARNING

Before installing, servicing or maintaining this equipment, follow these general precautions. To reduce the risk of electrocution:

- Make sure the equipment is properly grounded.
- Always de-energize the circuit and/or equipment before connecting to, disconnecting from or servicing the equipment.

To prevent luminaire row from over-current:

- By adding the input current of each luminaire section marked on the luminaire, the total current per power feed must not exceed the maximum line wire amperage marked on the luminaire and the power feed cord/wire amperage rating whichever is the least.

To reduce the risk of fire:

- Keep material away that can burn from hot lamp.
- Make sure lamps are correctly installed.
- Use supply conductors with a minimum installation temperature rating as specified on equipment.

To reduce the risk of personal injury from cuts, abrasions or falling parts:

- Wear gloves to prevent cuts or abrasions from sharp edges when removing from carton, handling and maintaining this equipment.
- Do not use abrasive materials, glass cleaners or other solvents on reflector or lens. These substances may damage equipment and cause parts to eventually break and fall.
- Do not install a damaged fixture.

CAUTION

Observe lamp manufacturer's recommendations and restrictions on lamp operation including but not limited to ballast type, burning position, replacement and cycling. Use only lamps that comply with applicable ANSI standards.

NOTICE: If lamp is marked (Hg) it contains mercury. Follow disposal laws. See www.lamprecycle.org

Peerless Lighting, a division of Acuity Brands Lighting, Inc., assumes no responsibility for claims arising out of improper or careless installation or handling of this product.

SAVE THESE INSTALLATION INSTRUCTIONS

Part Number: PIN004100 Revision: E Effective Date: 07/2012 ECO3665

PEERLESS®

PEERLESS LIGHTING
 P.O. BOX 2556
 BERKELEY, CA 94702-0556
 TEL: 510-845-2760
 FAX: 510-845-2776



PIN000600

IDS CLIP MOUNTING KIT
 FEED LOCATION
 INSTALLATION INSTRUCTIONS
 Pg. 1 of 2, ECD 3394 REV. A, 11/04

This installation instructions is used for installing the mounting kits F4 at FEED location

CAUTION: IT IS CRITICAL THAT SUPPORT LOCATIONS ARE LOCATED ACCURATELY. WE RECOMMEND THAT A LASER DEVICE BE USED TO LINE UP THE SUPPORT LOCATIONS ON FIXTURES HAVING MORE THAN ONE SECTION. IF NOT ALIGNED PROPERLY, A NOTICEABLE "BEND" MAY BE APPARENT WHEN VIEWED FROM THE END OF THE RUN.

"WARNING: RISK OF FIRE AND ELECTRICAL SHOCK. THIS PRODUCT IS TO BE INSTALLED BY A QUALIFIED ELECTRICIAN ONLY."

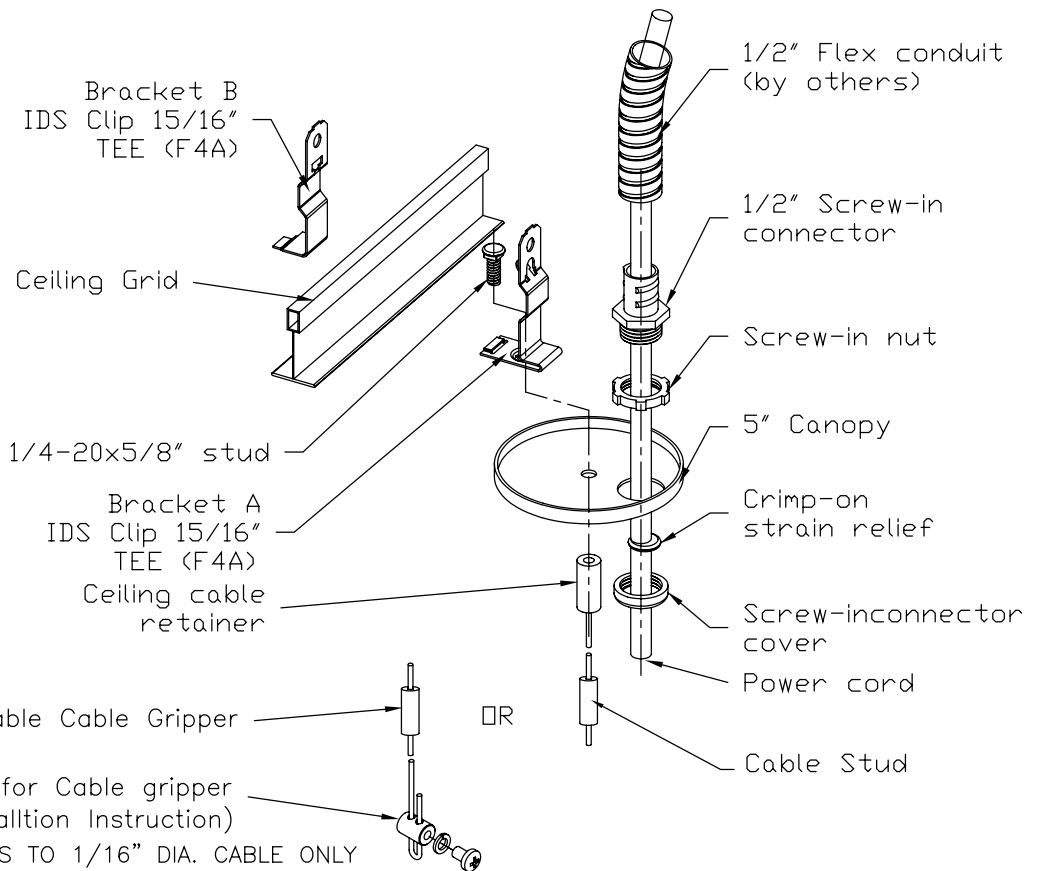
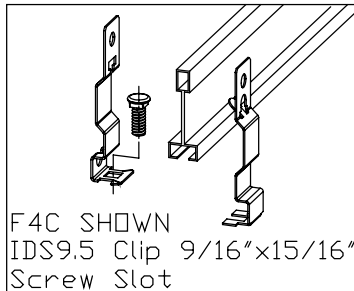
"WARNING: THIS INSTALLATION IS NOT IN COMPLIANCE WITH UL OR NEC CODE"

The contractor needs to provide following parts to complete installation.

*) 1/2" flex conduit

*** MOUNGTING DETAIL**

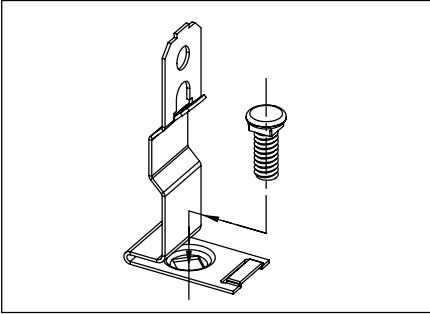
1. PARTS LIST (F4A SHOWN)



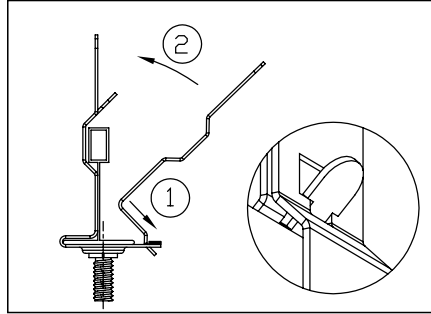
PIN000600

IDS CLIP MOUNTING KIT
FEED LOCATION
INSTALLATION INSTRUCTIONS
Pg. 2 of 2, ECI 3394 REV. A, 11/04

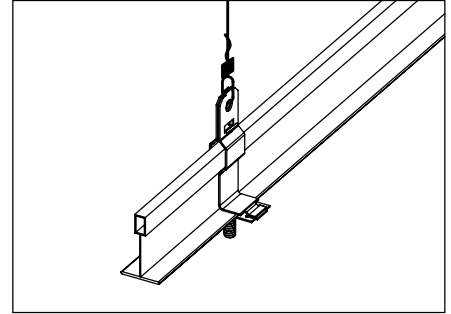
2. Installation Steps



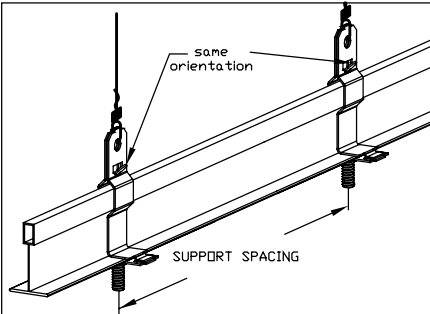
Step 1: Insert stud into bottom hole of bracket A.



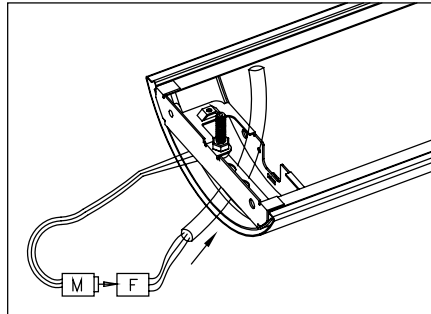
Step 2: Hook bracket A onto grid, Insert bracket B into slot on bracket A, lock bracket A and bracket B.



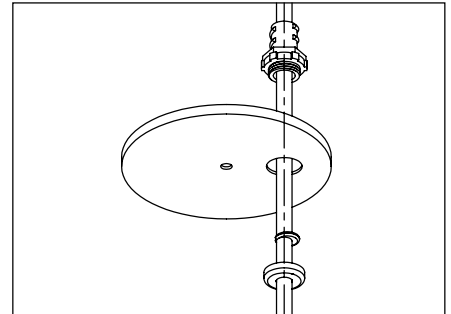
Step 3: According to local building code, insert support wires through bracket hole on bracket top. Then Twist support wires.



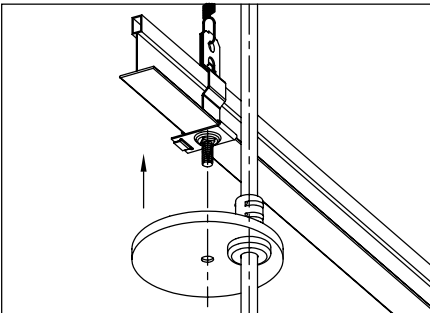
Step 4: Install the other mounting clips based on the fixture support spacing. Particularly for 15/16" IDS clip, be sure install the clips in same orientation to keep them aligned along the Tee grid.



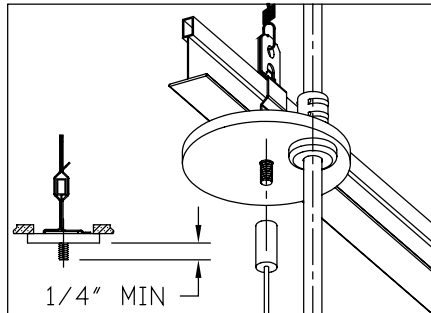
Step 5: Insert power cord through fixture feed hole at the male quick connector end. Connect male and female quick wire connectors.



Step 6: Insert screw-in connector cover, canopy, screw-in connector through power cord. Pinch strain relief on cord. Secure screw-in connector together with screw-in cover.



Step 7: Insert canopy assembly through the stud.



Step 8: Securely fasten ceiling cable retainer to the stud. Be sure to engage thread at least 1/4" as shown. This completes the installation.

PEERLESS®

PEERLESS LIGHTING
P.O. BOX 2556
BERKELEY, CA 94702-0556
TEL: 510-845-2760
FAX: 510-845-2776



PEERLESS®

PEERLESS LIGHTING
2246 5TH STREET, BERKELEY CA94710
TEL: 510-845-2760 FAX: 510-845-2776
WEB SITE: WWW.PEERLESS-LIGHTING.COM

PIN000700
IDS CLIP MOUNTING KIT
NON-FEED LOCATION
INSTALLATION INSTRUCTIONS
Pg. 1 of 2, ECO 3476 REV. B 09/06

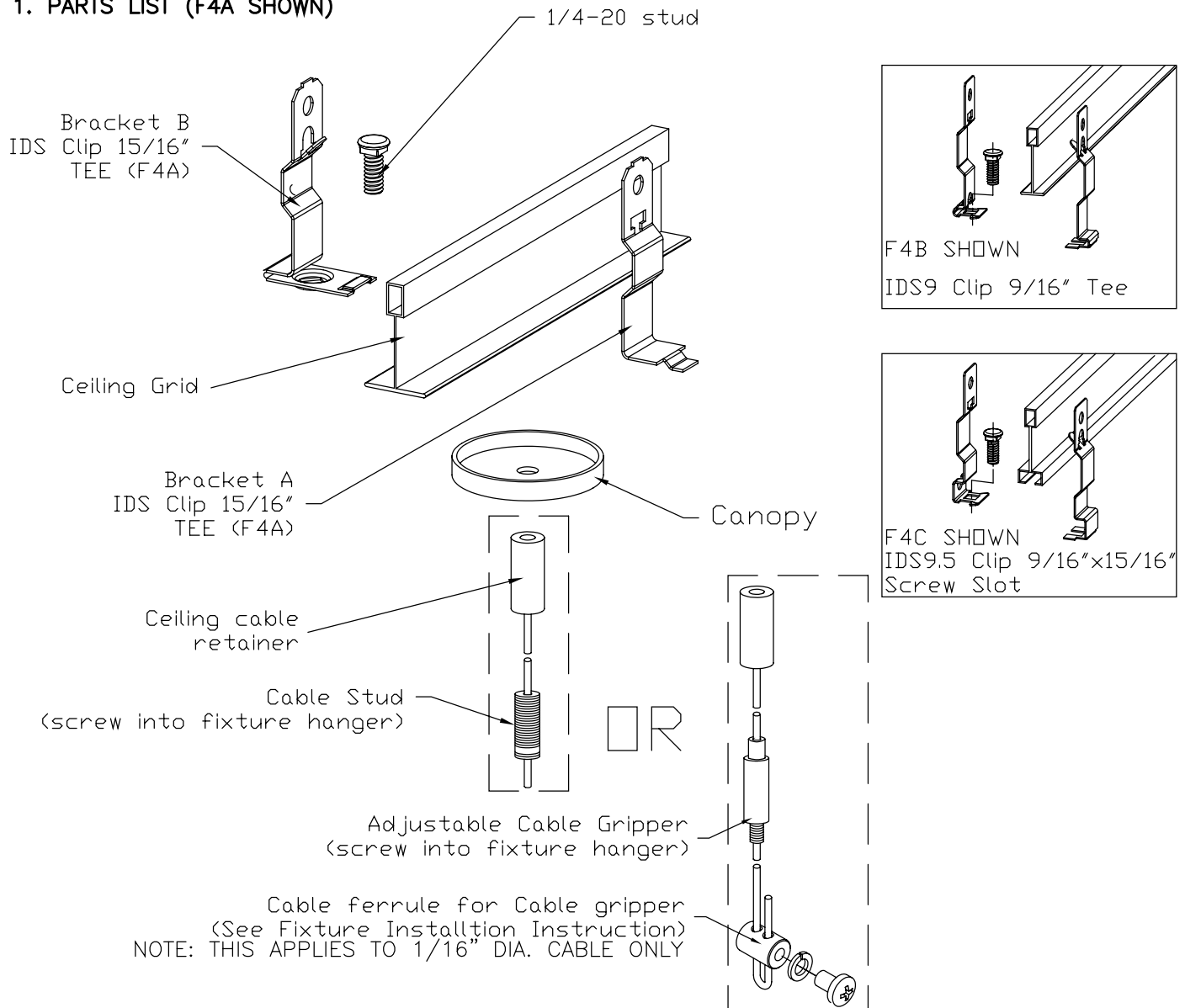
This installation instructions is used for installing the mounting kits F4 at NON-FEED location

CAUTION: IT IS CRITICAL THAT SUPPORT LOCATIONS ARE LOCATED ACCURATELY. WE RECOMMEND THAT A LASER DEVICE BE USED TO LINE UP THE SUPPORT LOCATIONS ON FIXTURES HAVING MORE THAN ONE SECTION. IF NOT ALIGNED PROPERLY, A NOTICEABLE "BEND" MAY BE APPARENT WHEN VIEWED FROM THE END OF THE RUN.

WARNING: RISK OF FIRE AND ELECTRICAL SHOCK. THIS PRODUCT IS TO BE INSTALLED BY A QUALIFIED ELECTRICIAN ONLY.

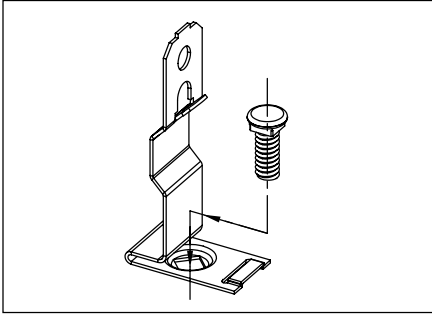
* MOUNTING DETAIL

1. PARTS LIST (F4A SHOWN)

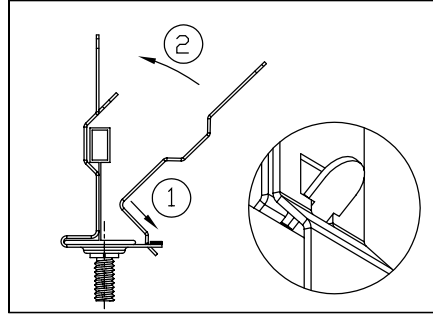


PIN000700
IDS CLIP MOUNTING KIT
NON-FEED LOCATION
INSTALLATION INSTRUCTIONS
Pg. 2 of 2, ECO 3476 REV. B 09/06

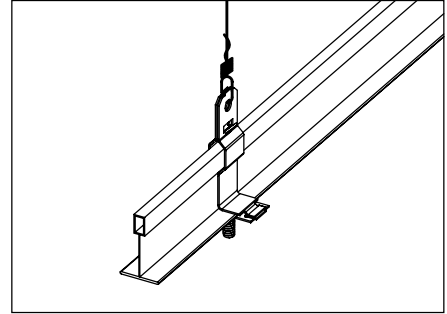
2. Installation Steps



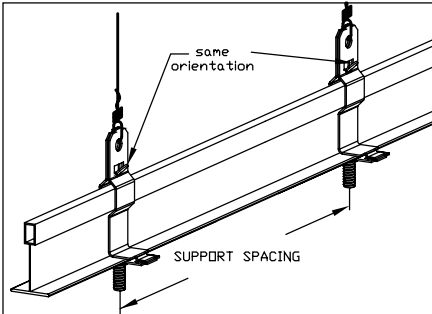
Step 1: Insert stud into bottom hole of bracket A.



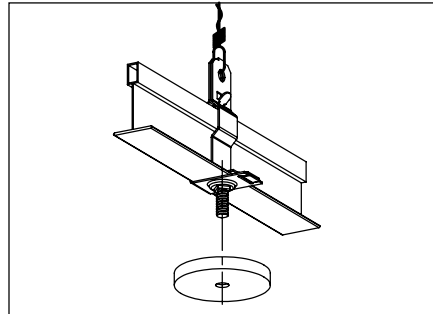
Step 2: Hook bracket A onto grid, Insert bracket B into slot on bracket A, lock bracket A and bracket B.



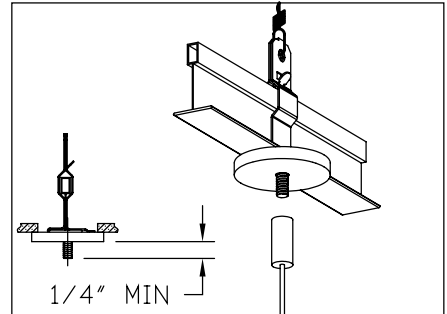
Step 3: According to local building code, insert support wires through bracket hole on bracket top. Then Twist support wires.



Step 4: Install the other mounting clips based on the fixture support spacing. Particularly for 15/16" IDS clip, be sure install the clips in same orientation to keep them aligned along the Tee grid.



Step 5: Insert mini canopy through the stud.



Step 6: Securely fasten ceiling cable retainer to the stud. Be sure to engage thread at least 1/4" as shown. This completes the installation.

P E E R L E S S

PEERLESS LIGHTING

2246 5TH STREET, BERKELEY CA94710

TEL: 510-845-2760 FAX: 510-845-2776

WEB SITE: WWW.PEERLESS-LIGHTING.COM